



hanit® SUTTON 1 BENCH

Modern shape, traditional charm

The distinctive sledge-runner shape of the legs makes the Sutton a real eye-catcher. It's an obviously modern design but it doesn't lose touch with traditional charm. The Sutton always looks good, even as part of a seating group and comes in three different sizes.

Material:

hanit® Recycled Plastic

Surface:

Structured, grained

Dimensions (W x D x H):

150 x 60 x 80 cm

Seat height:

45 cm

Weight:

74 kg

Slats:

Premium type

5 bench boards 150 x 10 x 4.7 cm

Internal reinforcement

Advantages:

Durable and dimensionally stable

Never paint, varnish or grind again

No risk of injury from splinters

No annoying mothballing in winter (weatherproof)

Fast drying, no water absorption

Resistant to vandalism

Optional:

Ground anchor type 1

Arm rest

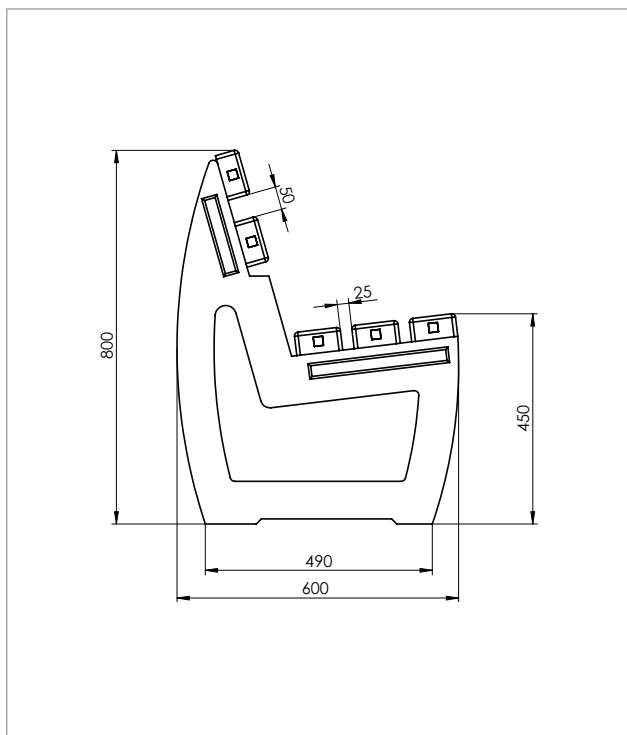


 Brown





TECHNICAL DRAWING



TECHNICAL DATA

Sutton 1 bench, width: 150 cm

Colour	Dimensions W x D x H (approx. cm)	Weight (approx. kg)	Order No
■ Brown	150 x 60 x 80	74.0	BTA 10 150

Benches and tables are delivered as a kit. Assembly instruction and materials are included.



FURTHER DOCUMENTS PLEASE SEE WWW.HANIT.DE

- » Assembly Instruction
- » Tender Specifications
- » Tests and Certificates
- » General Material Remarks

