



hanit® TAUNUS FOREST BENCH

The bench on two logs

The slanted back rest and log-like legs are instantly recognisable as the Taunus. This simple but clever bench loves nothing more than countryside or rural settings. The Taunus is always a welcome sight for woodland wanderers.

Material:

hanit® Recycled Plastic

Surface:

Structured, grained

Dimensions (W x D x H):

200 x 67 x 93 cm

Seat height:

45 cm

Weight:

140 kg

Slats:

Premium type

5 bench boards 200 x 12 x 4.7 cm

Internal reinforcement

Mounting:

To be embedded in the ground

Advantages:

Durable and dimensionally stable

Never paint, varnish or grind again

No risk of injury from splinters

No annoying mothballing in winter (weatherproof)

Fast drying, no water absorption

Resistant to vandalism

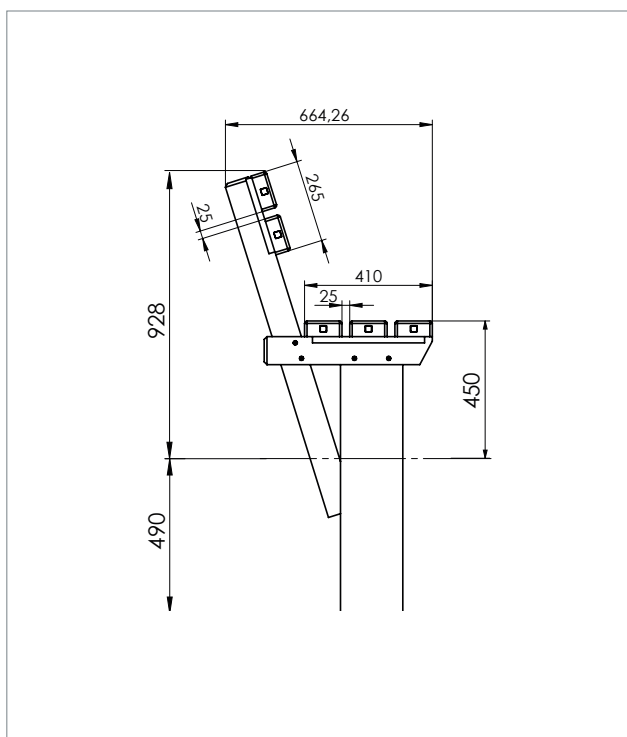


 Brown





TECHNICAL DRAWING



TECHNICAL DATA

Width: 200 cm

Colour	Dimensions W x D x H (approx. cm)	Weight (approx. kg)	Order No
■ Brown	200 x 67 x 93	140.0	BUL 12.200

Height from upper edge of cover. Benches and tables are delivered as a kit. Assembly instruction and materials are included.

FURTHER DOCUMENTS PLEASE SEE WWW.HANIT.DE

- » Assembly Instruction
- » Tender Specifications
- » Tests and Certificates
- » General Material Remarks

