



# hanit® CANETTI CHILDREN'S BENCH WITH BACKREST

## Child-friendly seating

The Canetti children's bench is specially designed for kids. With a seat height of 34 cm and wide supporting legs, it is extremely sturdy. The backrest adds additional comfort. It is available in four colour combinations. The bench is also relatively light-weight and goes perfectly with our Canetti or Tivoli children's table.

**Material:**

hanit® Recycled Plastic

**Surface:**

Structured, grained

**Dimensions (W x D x H):**

150 x 53 x 63 cm

**Seat height:**

34 cm

**Weight:**

52 kg

**Slats:**

Premium type

6 bench boards 150 x 8 x 4.7 cm

Internal reinforcement

**Advantages:**

No risk of injury from splinters

Safe thanks to rounded edges

Harmless according to DIN EN 71-3  
(Safety of Toys)

Durable and dimensionally stable

Never paint, varnish or grind again

No annoying mothballing in  
winter (weatherproof)

Fast drying, no water absorption

Resistant to vandalism

**Optional:**

Ground anchor type 1



 *Brown*



 *Grey-Green*



 *Grey-Blue*

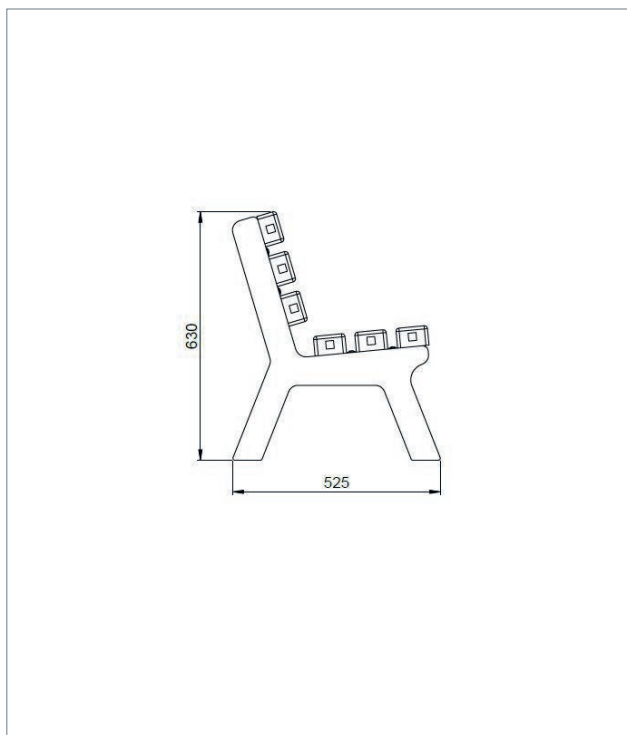


 *Grey-Red*





TECHNICAL DRAWING



TECHNICAL DATA

Width 150 cm			
Colour	Dimensions W x D x H (approx. cm)	Weight (approx. kg)	Order No
Brown	150 x 53 x 63	52.0	KCA 08 150
Grey-Green	150 x 53 x 63	52.0	KCC 08 150
Grey-Blue	150 x 53 x 63	52.0	KCB 08 150
Grey-Red	150 x 53 x 63	52.0	KCD 08 150

Benches and tables are delivered as a kit. Assembly instruction and materials are included.

FURTHER DOCUMENTS PLEASE SEE [WWW.HANIT.DE](http://WWW.HANIT.DE)

- » Assembly Instruction
- » Test and Certificates
- » General Material Remarks

