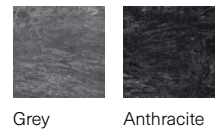


More documents can be found on the specific product page or in the downloads area at [www.hanit.de](http://www.hanit.de).

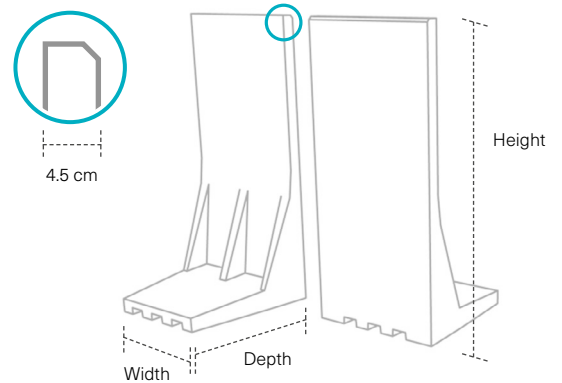


# hanit L-Stone

**Material:**  
hanit recycled plastic

**Surface:**  
Structured, grained

- Product info:**
- Top chamfered on one side
  - No reinforcement
  - Strengthened corner
  - Wall thickness from 4.5 cm
  - 1.5 – 5 kN/m<sup>2</sup> loading condition depending on installation



**Technical data:**

50 cm deep x 50 cm wide							● ○
Colour	Height in cm	Weight in kg	SU Pc.	SU weight in kg	SU dimensions in cm	Order no.	
Grey	55	28.6	16	483	120 x 100 x 125	2000005	
Grey	80	33.5	8	319	120 x 100 x 95	2000006	
Grey	105	38.6	8	363	120 x 100 x 125	2000007	
Anthracite	55	28.6	16	483	120 x 100 x 125	2000008	
Anthracite	80	33.5	8	319	120 x 100 x 95	2000009	
Aanthracite	105	38.6	8	363	120 x 100 x 125	2000010	



[www.blauer-engel.de/uz30a](http://www.blauer-engel.de/uz30a)

HAHN Kunststoffe GmbH  
Gebäude 1027  
55483 Hahn-Flughafen  
T + 49 6543 9886-0  
info@hanit.de | www.hanit.de