



hanit® MIRA BENCH

For conversation in any direction

The Mira is the essential backless bench that likes to keep things simple. It works especially well with the Mira table for sociable groups and get together. The Mira bench is also compatible as the backless version of the Waza, Bavaria and Treptow models.

Material:

hanit® Recycled Plastic

Surface:

Structured, grained

Dimensions (W x D x H):

200 x 40 x 47 cm

Seat height:

47 cm

Weight:

75 kg

Slats:

Compact type

1 seat board 200 x 40 x 7.5/6.5 cm

Internal reinforcement

Advantages:

- Durable and dimensionally stable
- Never paint, varnish or grind again
- No risk of injury from splinters
- No annoying mothballing in winter (weatherproof)
- Fast drying, no water absorption
- Resistant to vandalism

Optional:

- Ground anchor type 1



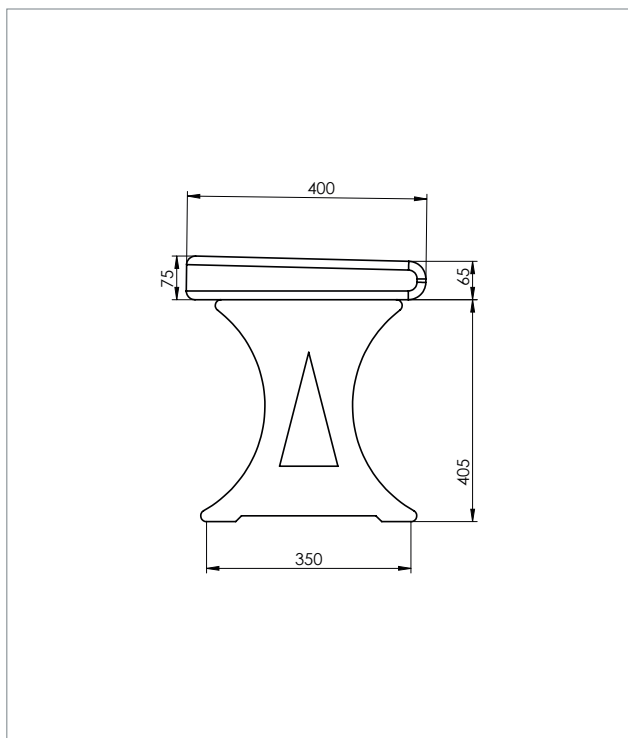
 Brown

DBLBSO40200DEEN0519





TECHNICAL DRAWING



TECHNICAL DATA

Width: 200 cm			
Colour	Dimensions W x D x H (approx. cm)	Weight (approx. kg)	Order No
■ Brown	200 x 40 x 47	75.0	BS0 40 200

Benches and tables are delivered as a kit. Assembly instruction and materials are included.

FURTHER DOCUMENTS PLEASE SEE WWW.HANIT.DE

- » Installation Recommendation
- » Tender Specifications
- » Tests and Certificates
- » General Material Remarks

