



hanit® CANETTI 1 BENCH

Versatile and adaptable

Seating couldn't be any easier than the Canetti. This backless bench consisting of just three planks and two smart legs is both cool and inviting. Available in three stylish colour combinations.

Material:

hanit® Recycled Plastic

Surface:

Structured, grained

Dimensions (W x D x H):

150 x 35 x 45 cm

Seat height:

45 cm

Weight:

40 kg

Slats:

Premium type

3 bench boards 150 x 10 x 4.7 cm

Internal reinforcement

Advantages:

Durable and dimensionally stable

Never paint, varnish or grind again

No risk of injury from splinters

No annoying mothballing in winter (weatherproof)

Fast drying, no water absorption

Resistant to vandalism

Optional:

Ground anchor type 1



 Brown



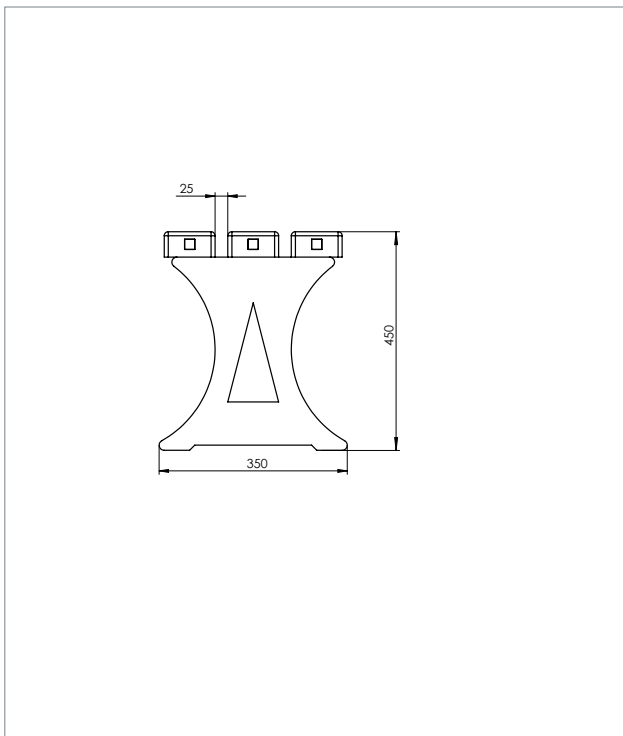
www.blauer-engel.de/uz30a

 MADE IN GERMANY

HAHN
KUNSTSTOFFE



TECHNICAL DRAWING

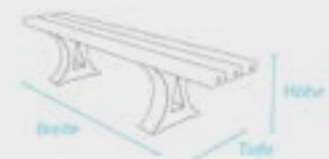


TECHNICAL DATA

Canetti 1 bench, width: 150 cm

Colour	Dimensions W x D x H (approx. cm)	Weight (approx. kg)	Order No
■ Brown	150 x 35 x 45	40.0	BTO 10 150

Benches and tables are delivered as a kit. Assembly instruction and materials are included.



FURTHER DOCUMENTS PLEASE SEE WWW.HANIT.DE

- » Assembly Instruction
- » Tender Specifications
- » Tests and Certificates
- » General Material Remarks

