



# hanit® HYDE PARK 2 BENCH

Pure and modern

The two-tone Hyde Park bench is a new take on the traditional park bench design. With clean, minimalist lines and a fresh, unconventional look, the Hyde Park range is a perfect balance of form and function.

**Material:**

hanit® Recycled Plastic

**Surface:**

Structured, grained

**Dimensions (W x D x H):**

195 x 56 x 93 cm

**Seat height:**

45 cm

**Weight:**

77 kg

**Slats:**

Premium type

7 bench boards 180 x 10 x 4.7 cm

Internal reinforcement

**Mounting:**

To be assembled using dowels

**Advantages:**

Durable and dimensionally stable

Never paint, varnish or grind again

No risk of injury from splinters

No annoying mothballing in winter (weatherproof)

Fast drying, no water absorption

Resistant to vandalism

**Optional:**

Ground anchor type 1

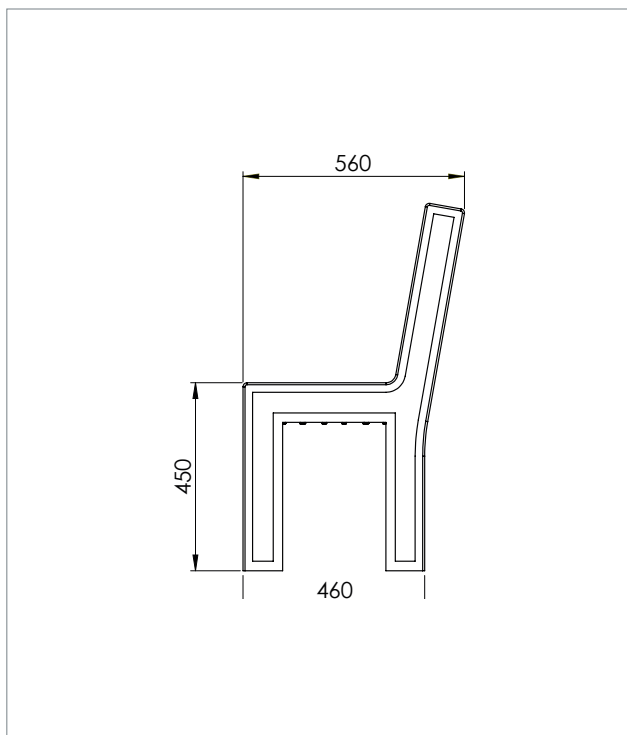


■ Black-Brown





TECHNICAL DRAWING



TECHNICAL DATA

**Hyde Park 2 bench, width: 195 cm**

Colour	Dimensions W x D x H (approx. cm)	Weight (approx. kg)	Order No
■ Black-Brown	195 x 56 x 93	77.0	HPL 10 180

Benches and tables are delivered as a kit. Assembly instruction and materials are included.

FURTHER DOCUMENTS PLEASE SEE [WWW.HANIT.DE](http://WWW.HANIT.DE)

- » Assembly Instruction
- » Tender Specifications
- » Tests and Certificates
- » General Material Remarks

