



# hanit® COMPACT BENCH BOARD

## Uniform comfort

Our Compact bench board is wide enough to be used as a single plank. It works well as a replacement for old wooden boards or to create new seating opportunities, e.g. on low walls, plinths, stones or gabions.

**Material:**

hanit® Recycled Plastic

**Surface:**

Structured, grained

**Versions:**

- Back board (internal reinforcement)
- Seating board (two internal reinforcements)
- Conical

**Length:**

200 cm

**Dimensions (W x S):**

- Back board 27.5 x 6.5/5.5 cm
- Seating board 40.0 x 7.5/6.5 cm

**Weight:**

- Back board 32 kg
- Seating board 54 kg

**Advantages:**

- Replacement for rotten timber boards
- Durable and dimensionally stable
- Never paint, varnish or grind again
- No risk of injury from splinters
- No annoying mothballing in winter (weatherproof)
- Fast drying, no water absorption
- Resistant to vandalism
- For creative seating areas

**Note:**

Please mount with a maximum support distance of 130 cm.

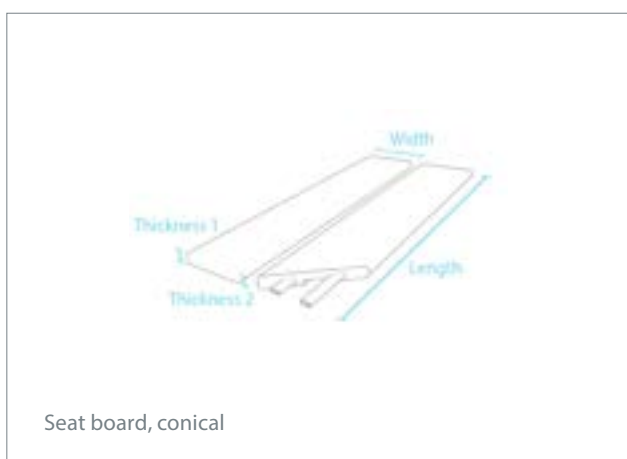
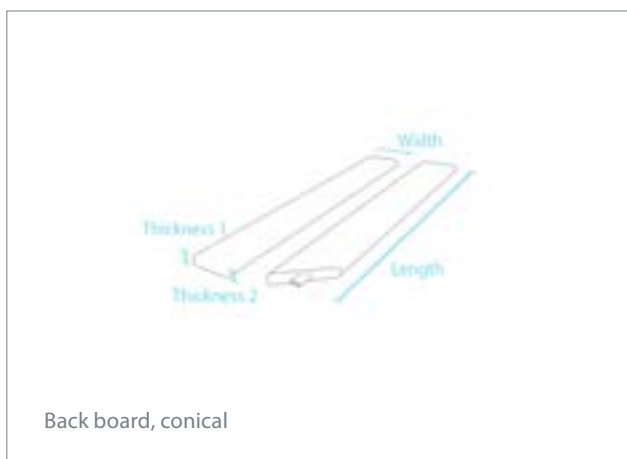


 Brown





**SECTIONAL DRAWING**



**TECHNICAL DATA**

Back board, conical				
Colour	Width (cm)	Length (cm)	Weight (approx. kg)	Order No
■ Brown	27.5	200.0	32.0	RBB 6527 200

Seat board, conical				
Colour	Width (cm)	Length (cm)	Weight (approx. kg)	Order No
■ Brown	40.0	200.0	54.0	RBB 7540 200

Assemble Compact style bench planks with a maximum support distance of 130 cm. Please refer to the assembly instructions for the fasteners. Packaging units are intended for information only. There are no order requirements. Products exceeding 200 cm in length, are packed on double pallets.

**FURTHER DOCUMENTS PLEASE SEE [WWW.HANIT.DE](http://WWW.HANIT.DE)**

- » Tender Specifications
- » Tests and Certificates
- » General Material Remarks

