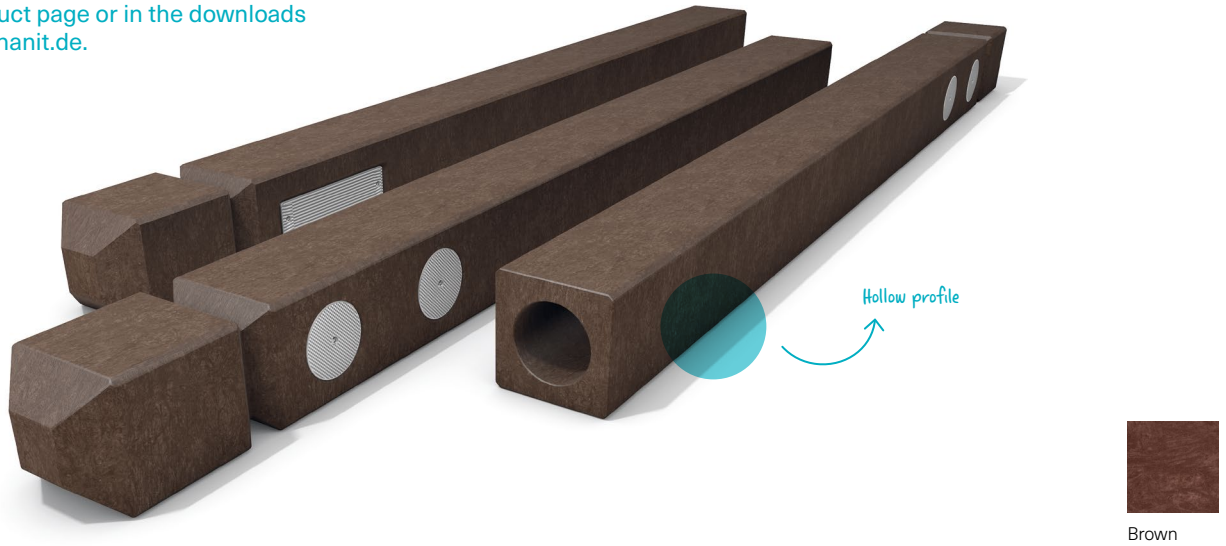


More documents can be found on the specific product page or in the downloads area at www.hanit.de.



hanit Pyramid head Bollard

Material:

hanit recycled plastic

Surface:

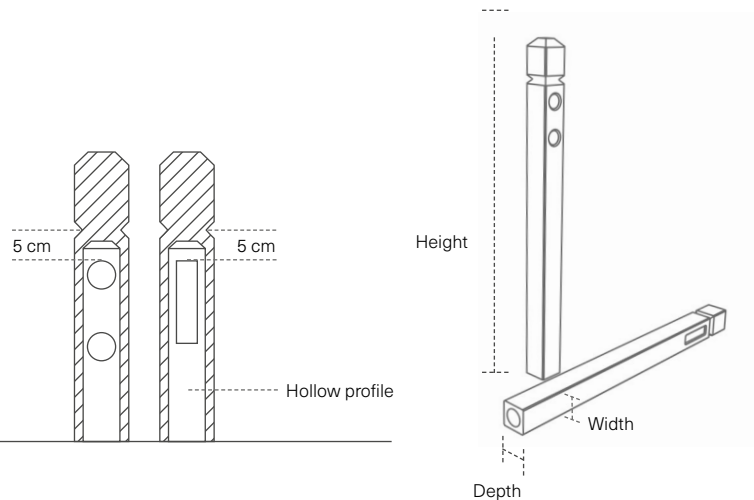
Structured, grained

Design:

- Hollow profile

Product info:

- Two round reflectors, Ø 6 cm
- Rectangular reflector on the opposite side 4 x 18 cm



Technical data:

Width 12 cm x depth 12 cm, with reflectors							
Colour	Height in cm	Weight in kg	SU Pc.	SU weight in kg	SU dimensions in cm	Order no.	
Brown	160	13.9	49	706	160 x 84 x 99	3500059	



www.blauer-engel.de/uz30a

HAHN Kunststoffe GmbH
Gebäude 1027
55483 Hahn-Flughafen
T + 49 6543 9886-0
info@hanit.de | www.hanit.de