



# hanit® SERENGETI 2 SET

## The versatile picnic bench

The Serengeti picnic bench is all about the group dynamic. This sturdy bench/table combination is perfect for campsites, holiday villages and youth hostels: wherever people get together, chat and mingle outdoors.

**Material:**

hanit® Recycled Plastic

**Surface:**

Structured, grained

**Dimensions (W x D x H):**

200 x 174 x 76 cm

**Seat height:**

46 cm

**Weight:**

195 kg

**Slats:**

Premium type

6 bench boards 200 x 10 x 4.7 cm

6 table boards 200 x 12 x 4.7 cm

Internal reinforcement

**Advantages:**

Durable and dimensionally stable

Never paint, varnish or grind again

No risk of injury from splinters

No annoying mothballing in winter (weatherproof)

Fast drying, no water absorption

Resistant to vandalism

**Optional:**

Ground anchor type 3



 *Brown*



 *Grey-Green*



 *Grey-Blue*



 *Grey-Red*

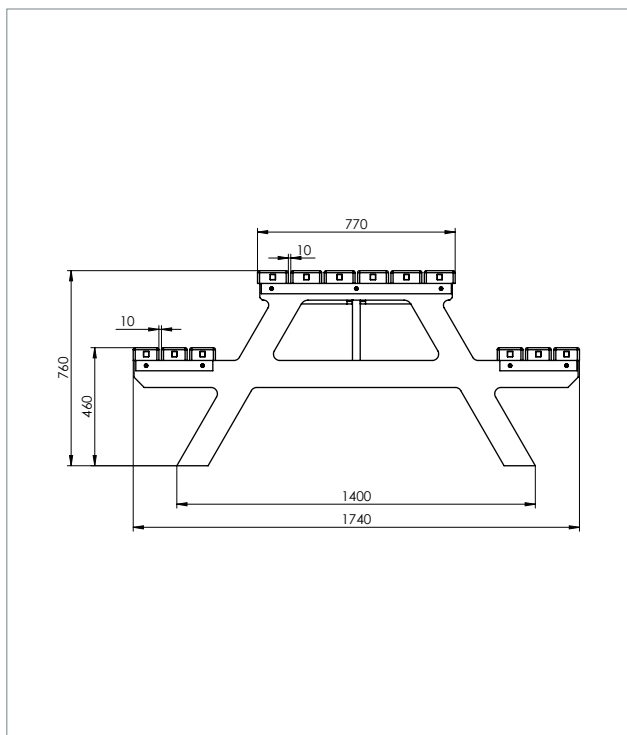


[www.blauer-engel.de/uz30a](http://www.blauer-engel.de/uz30a)

 **MADE IN GERMANY**



## TECHNICAL DRAWING

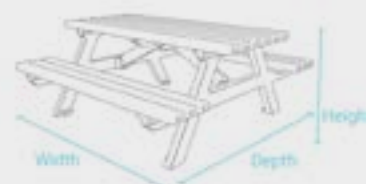


## TECHNICAL DATA

## Serengeti 2 seating group, width: 200 cm

Colour	Dimensions W x D x H (approx. cm)	Weight (approx. kg)	Order No
■ Grey-Green	200 x 174 x 76	195.0	RBA 10 200
■ Grey-Blue	200 x 174 x 76	195.0	RBB 10 200
■ Grey-Red	200 x 174 x 76	195.0	RBC 10 200
■ Brown	200 x 174 x 76	195.0	SGB 10 200

Benches and tables are delivered as a kit. Assembly instruction and materials are included.

FURTHER DOCUMENTS PLEASE SEE [WWW.HANIT.DE](http://WWW.HANIT.DE)

- » Assembly Instruction
- » Tender Specifications
- » Tests and Certificates
- » General Material Remarks

**HAHN**  
KUNSTSTOFFE