



# hanit® COLLODI SKATER BENCH

For sitting, leaning or chilling

Down at the skate park, practicing the latest flips and kicks and hanging with your friends – the Collodi bench is perfect for scene like this. Tough and splinter-free, the Collodi is specially developed for skaters who want to take a break, lean back and dangle their legs.

**Material:**

hanit® Recycled Plastic

**Surface:**

Structured, grained

**Dimensions (W x D x H):**

200 x 27.5 x 78 cm

**Seat height:**

78 cm

**Weight:**

65 kg

**Slats:**

Compact type

1 seat board 200 x 27.5 x 6.5/5.5 cm

Internal reinforcement

**Mounting:**

To be assembled using dowels

**Advantages:**

For sitting and skating

Durable and dimensionally stable

Never paint, varnish or grind again

No risk of injury from splinters

No annoying mothballing in winter (weatherproof)

Fast drying, no water absorption

Resistant to vandalism



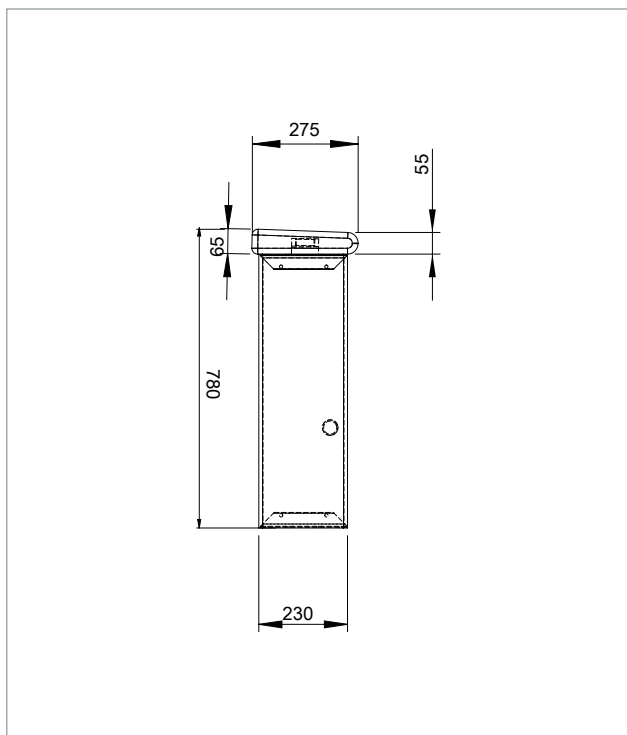
 Brown

DBLCOLEINBDEEN0619





TECHNICAL DRAWING



TECHNICAL DATA

For attaching using dowels

Colour	Dimensions W x D x H (approx. cm)	Weight (approx. kg)	Order No
■ Brown	200 x 27.5 x 78	65.0	BSA 40 200

Height from upper edge of cover. Benches and tables are delivered as a kit. Assembly instruction and materials are included.



FURTHER DOCUMENTS PLEASE SEE WWW.HANIT.DE

- » Assembly Instruction
- » Tender Specifications
- » Tests and Certificates
- » General Material Remarks

